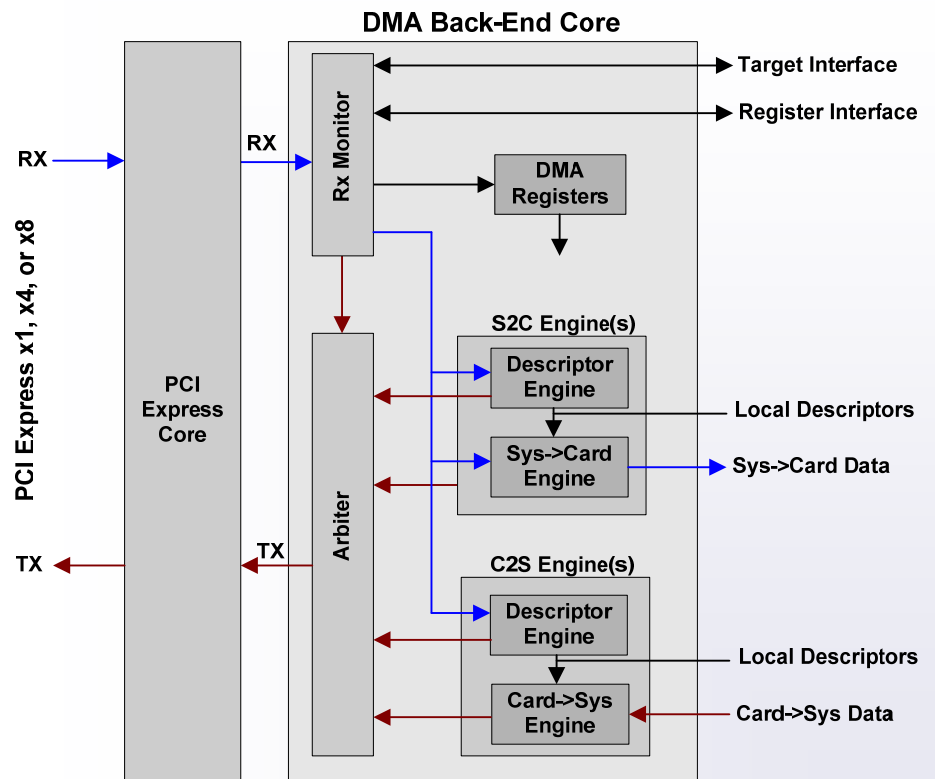


## Product Highlights

- Provides high performance, demand-driven, multiple engine DMA operation
- Provides simple Target and Register interfaces
- Works with Northwest Logic soft PCI Express Cores and Xilinx hard Endpoint Block Plus core
- Fully orders read data
- Supports 32 and 64 bit addressing
- Supports legacy interrupts and MSI
- Fully hardware validated and PCI-SIG certified
- Source code available
- Customization and Integration services available

## Block Diagram



## Product Overview

The Northwest Logic DMA Back-End Core provides a complete, high-performance DMA-based back-end design. Key features include:

- Works with Northwest Logic soft PCI Express Cores and Xilinx hard Endpoint Block Plus core
- Supports high-performance, demand-driven, multiple engine DMA operation in both System->Card and Card->System directions
- Each DMA Engine has its own interface enabling easy integration of user logic and per packet interface switching
- Can automatically fetch DMA Descriptors from system memory or use DMA Descriptors provided locally
- Provides simple Target and Register interfaces

Using the core eliminates the need for the user to implement their own back-end design significantly reducing development time and risk.

The combination of Northwest Logic PCI Express Core and DMA Back-End form the PCI Express Complete Core.

Northwest Logic also provides board support packages for a wide variety of Northwest Logic and third party PCI Express boards. This support packages including a working FPGA design, Driver and GUI binaries. Contact Northwest Logic for more information.

Northwest Logic also provides a complete set of quick-turn design services including IP Customization and Logic, Board, Software Development services. Contact Northwest Logic for a quote.

### Product Deliverables:

- Core (Netlist or Source Code)
- Comprehensive Verification Suite (Source Code)
- Complete Documentation
- Expert Technical Support & Maintenance Updates