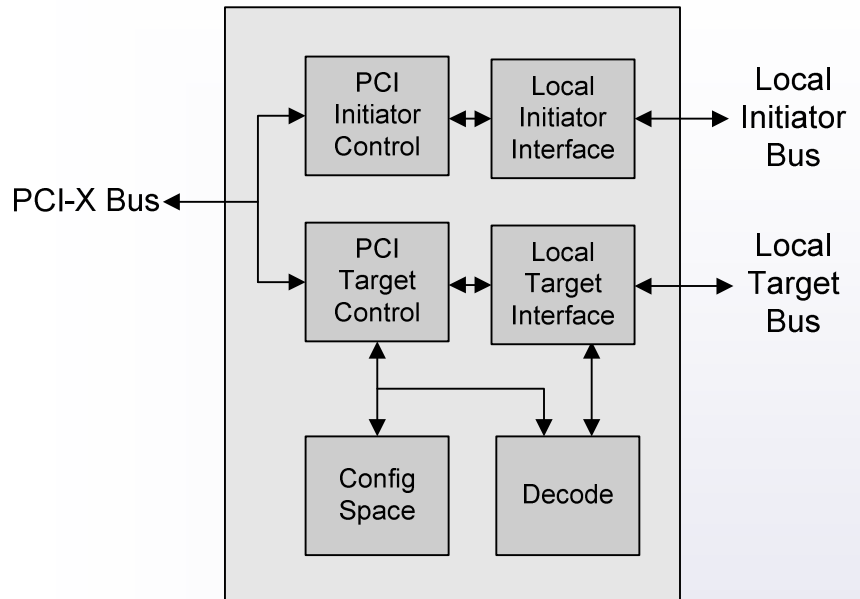


## Product Highlights

- High-performance, easy-to-use core
- Achieves push-button timing with minimal routing constraints
- Minimal size
- Multi-Function support
- Supports 133/66 MHz PCI-X, 32 and 64 bit, Master/Target operation
- Host and Peripheral versions available
- Provided with a comprehensive Verification Suite
- PCI-X Local Bus Specification Revision 2.0 (Mode 1) compliant
- Source code available
- Customization and Integration services available

## Block Diagram



## Product Overview

Northwest Logic's PCI-X Core has been specifically designed to be easy-to-use:

- Hides the complexities and timing issues of the PCI-X Bus from the user
- Control interface has consistent timing and function over all modes of operation
- Data interface connects directly to FIFOs
- Provides complete error-handling support
- Achieves push-button timing with minimal routing constraints

The core implements the "front-end" of a PCI-X design giving the user complete control of the "back-end" functionality. This flexibility is further enhanced with a user expandable configuration space and multi-function support.

The core is provided with the PCI-X/PCI Verification Suite which provides complete scripting and random stimulus capa-

bilities enabling the user design to be fully validated prior to use in hardware.

Northwest Logic also provides a complete set of quick-turn design services including IP Customization and Logic, Board, Software Development services. Contact Northwest Logic for a quote.

### Product Deliverables:

- Core (Netlist or Source Code)
- Comprehensive Verification Suite (Source Code)
- Complete Documentation
- Expert Technical Support & Maintenance Updates