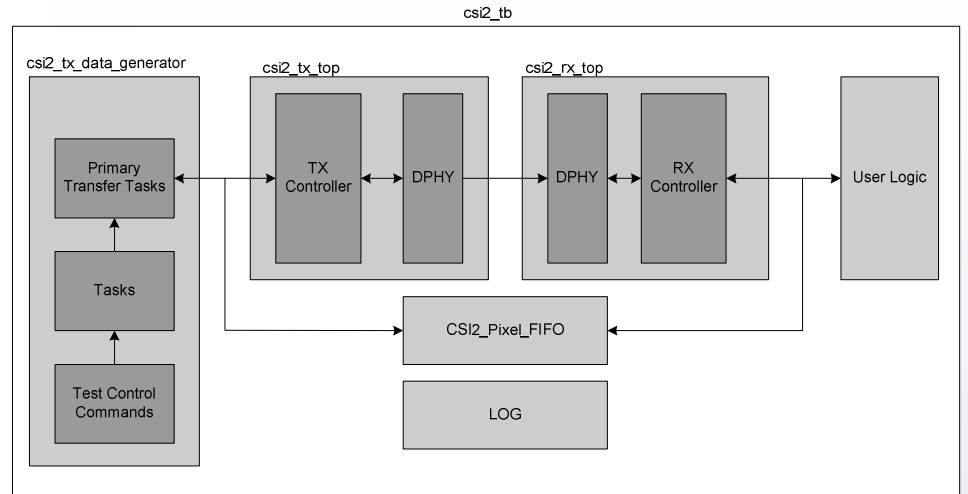


Product Highlights

- Emulates a MIPI device enabling simulation of a MIPI design
- CSI-2 and DSI versions
- Transmit and Receive versions
- Performs automatic data logging and checking
- Provided with a basic set of test cases
- Specifically designed for quick out-of-the-box setup and use
- Fast simulation speed
- CSI and DSI specification compliant
- Provided in source code form

Block Diagram (Tx Version)



Product Overview

Northwest Logic's MIPI Testbench emulates a MIPI device enabling end-to-end simulation of a MIPI design.

This includes the follow features:

- Separate versions for CSI-2 Transmit, CSI-2 Receive, DSI Host (Transmit), DSI Peripheral (Receive)
- Logging and display of all MIPI traffic in a user-friendly format
- Provided with an extensive set test scripts

The fast setup and operation of the MIPI Testbench makes it easy for users to quickly and comprehensively perform end-to-end simulations of their MIPI design.

The Testbench is fully compliant with CSI and DSI specifications.

The MIPI Testbench is not a full MIPI compliance suite. Contact Northwest Logic for its recommended third-party MIPI Compliance Suite for ASIC validation.

Product Deliverables:

- Testbench (Source Code)
- Complete Documentation
- Expert Technical Support & Maintenance Updates