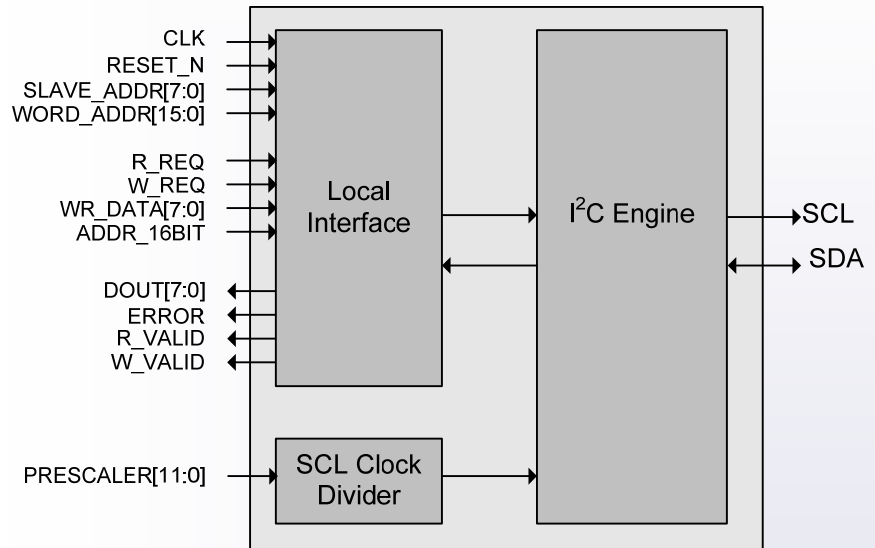


Product Highlights

- Ideal for Serial Presence Detection (SPD) and other I²C applications
- Very small size
- Specifically designed for ease of use
- Supports Master-Only and Master/Slave operation
- Simple user interface
- Fast Mode and Standard Mode support
- 8 and 16 bit addressing supported
- Easy to connect to variable length FIFOs
- Source code available
- Customization and Integration services available

Block Diagram



Product Overview

Northwest Logic's I²C Controller Core eliminates the extra logic and complexity of a standard I²C Controller core to provide a core which is very small, easy to use and customizable if needed.

The core is ideal for performing Serial Presence Detection (SPD) of a memory module and connecting to other I²C devices such as EEPROMs and A/D & D/A Converters.

The core supports master and slave operation of a Philips's I²C compatible serial bus including Standard Mode and Fast Mode operation. The core also supports 8 and 16 bit addressing.

Northwest Logic also provides a complete set of quick-turn design services including IP Customization and Logic, Board, Software Development services. Contact Northwest Logic for a quote.

Product Deliverables:

- Core (Netlist or Source Code)
- Comprehensive Verification Suite (Source Code)
- Complete Documentation
- Expert Technical Support & Maintenance Updates